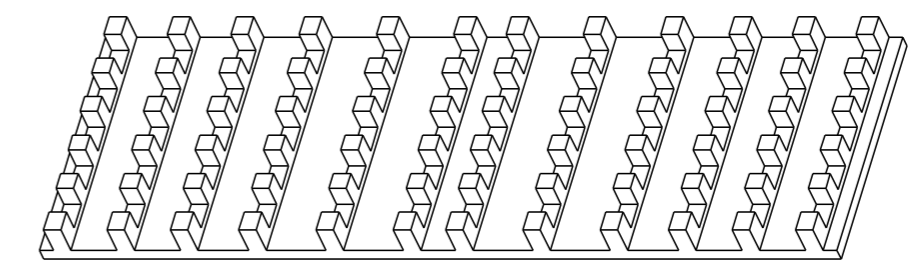
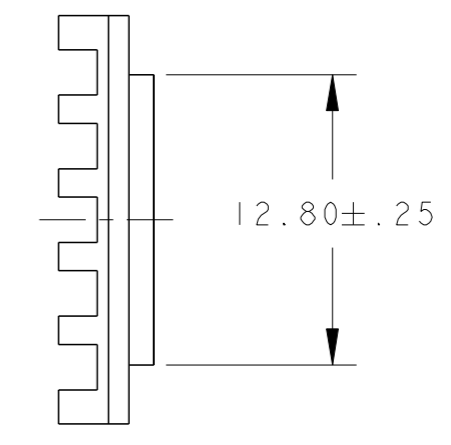
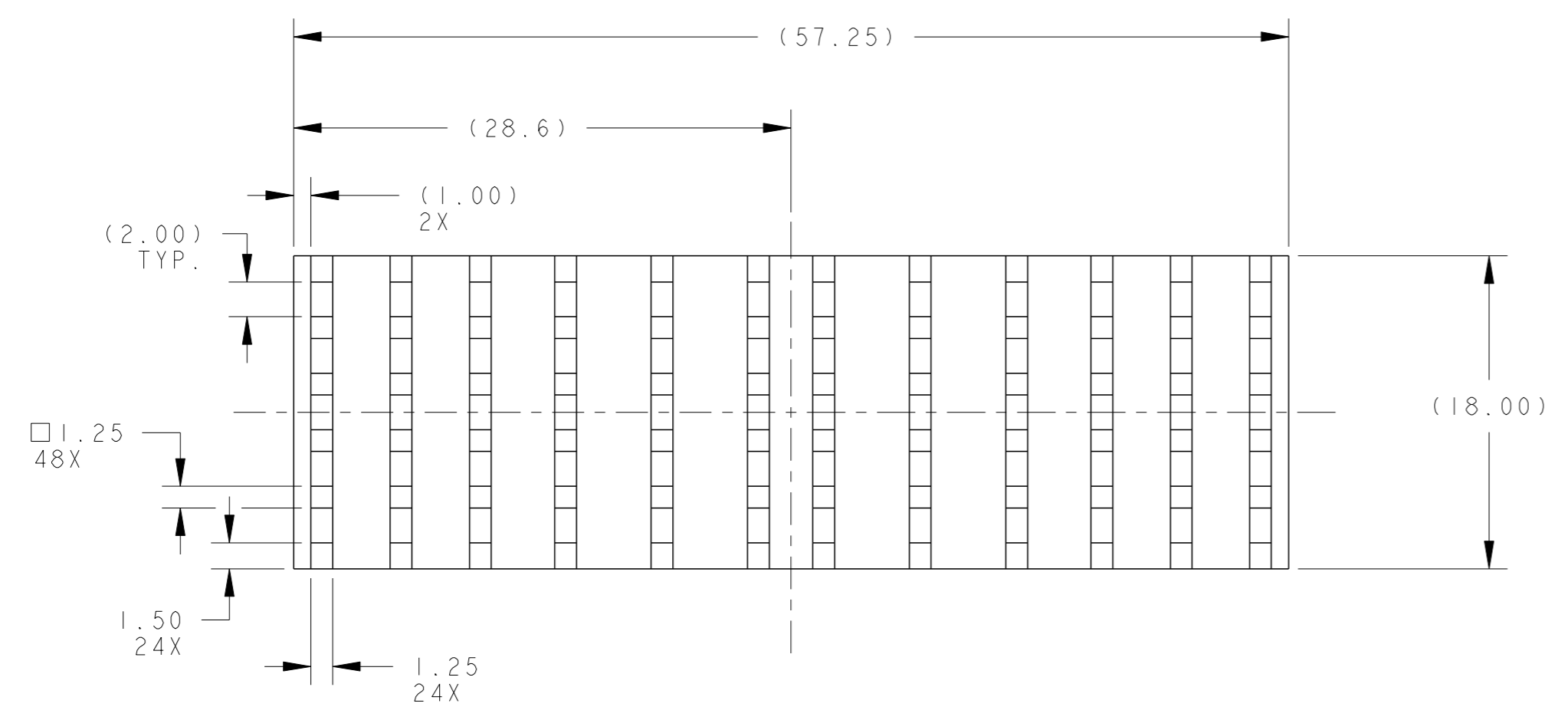


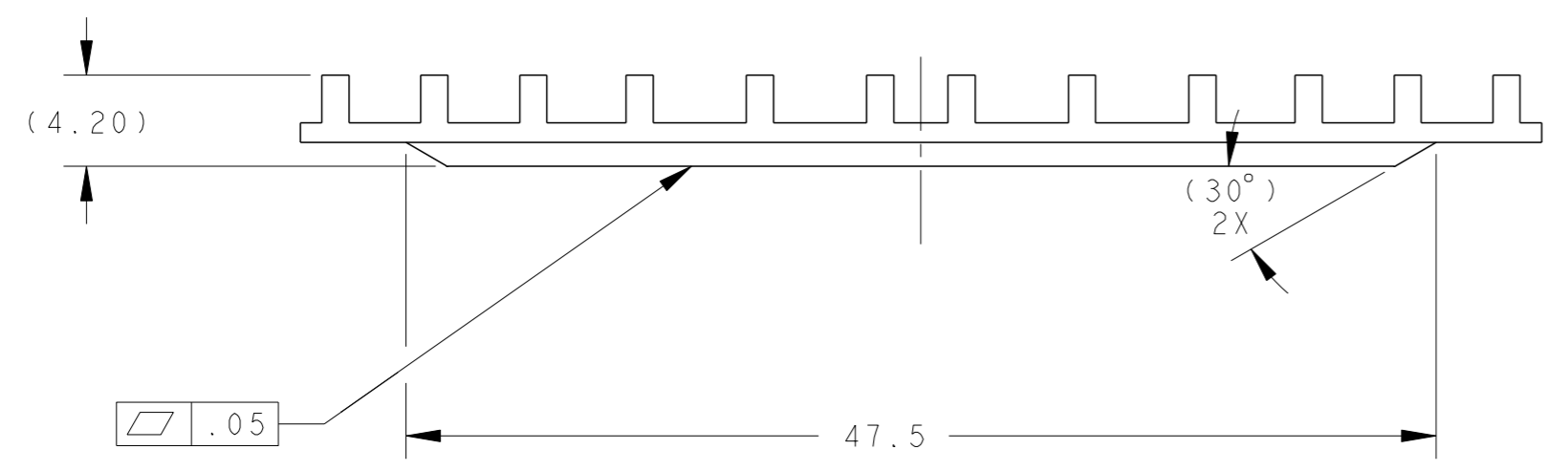
THIS DRAWING IS UNPUBLISHED. RELEASED FOR PUBLICATION
 © COPYRIGHT 2011 ALL RIGHTS RESERVED.

LOC		DIST		REVISIONS			
P	LTR	DESCRIPTION	DATE	DWN	APVD		
	LI	REVISED PER ECO-11-005294	07APR2011	RK	HMR		
	M	REVISED PER ECR-11-020011	07OCT2011	WA	WA		

NOTES: UNLESS OTHERWISE SPECIFIED:
 1. INTERPRET DRAWING PER ASME Y14.5M - 1994.



SCALE = 2X



ANODIZED BLACK (MIL-A-8625 TYPE II)	1542656-5
ELECTROLESS NICKEL	1542656-4
FINISH	PART NUMBER

THIS DRAWING IS A CONTROLLED DOCUMENT.		DWN E. TAO	3-26-03	TE Connectivity		
DIMENSIONS: mm		CHK S.G	3-26-03			
TOLERANCES UNLESS OTHERWISE SPECIFIED:		APVD -		NAME		
0 PLC ± 1 PLC ±.5 2 PLC ±.20 3 PLC ±.100 4 PLC ± ANGLES ±° FINISH		PRODUCT SPEC -		APPLICATION HEATSINK 4.2mm TALL		
MATERIAL 6063-T5 ALUMINUM		APVD -		SIZE A2	CAGE CODE -	DRAWING NO. G=1542656
SEE TABLE		WEIGHT -		RESTRICTED TO -	SCALE 4:1 SHEET 1 OF 1 REV M	
CUSTOMER DRAWING						